

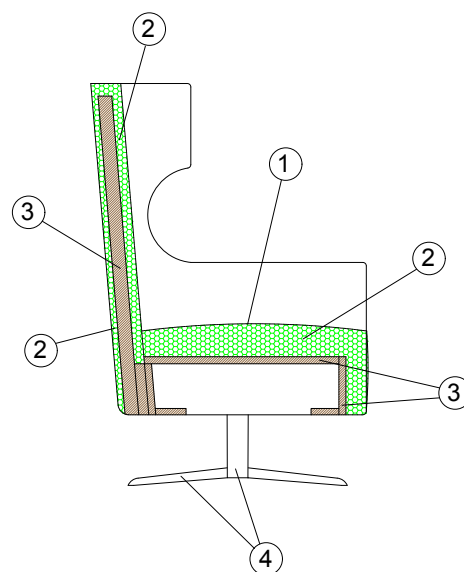


# KARI

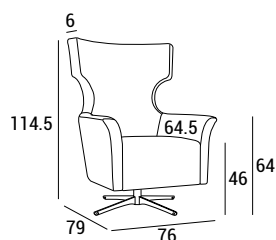


Kari is a modern bergere on a swivel base. It is characterized by its high back, a wide and deep seat, generous armrests on which to rest your arms or laptop.

- 1 - dacron® fiber 100 gr;
- 2 - high resilience polyurethane foam of different densities;
- 3 - structural frame in plywood;
- 4 - swivel base in plated chrome metal.



## DIMENSIONS



## TECHNICAL DETAILS

KARI	26	0.71	fabric mtl H 140 cm	leather m <sup>2</sup>
			5.50	10.23

## BASE

B 08 h 20



## METAL BASE FINISHINGS

Standard

POLISHED PLATED CHROME



Optional

RAL COLOR OF YOUR CHOICE



SATIN PLATED CHROME

